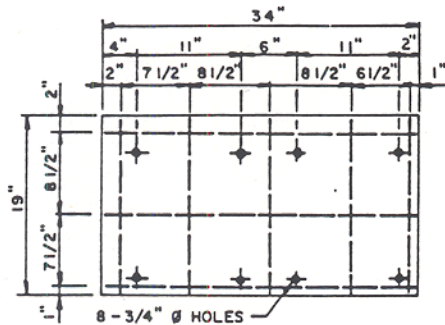
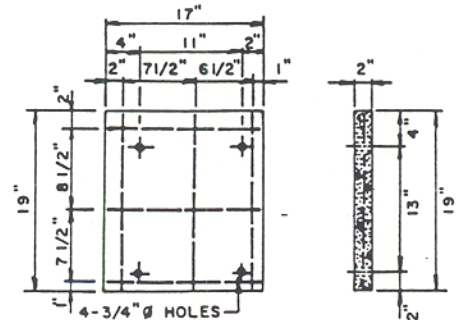


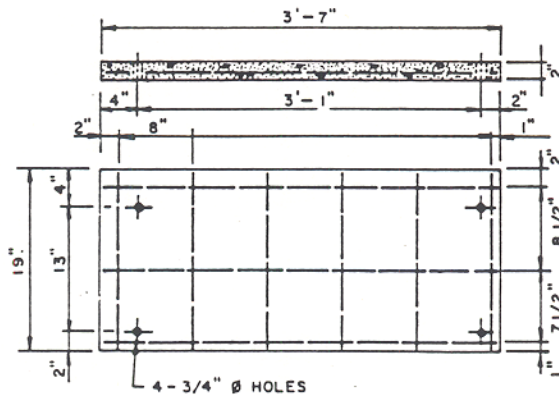
COUNTY OF HENRICO
DEPARTMENT OF PUBLIC UTILITIES



SIDE PIECE "A"

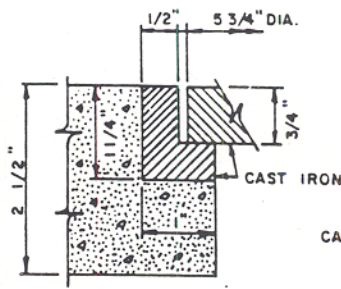


SIDE PIECE "B"

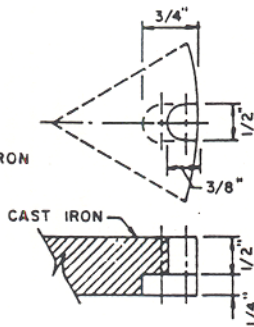


SIDE PIECE "C"

NOTE : ALL BARS TO BE NO. 2 Ø
ALL BARS TO BE WELDED
ALL BARS TO BE INTER-MEDIATE GRADE STEEL
AND TO CONFORM TO ASTM SPECIFICATIONS R-305

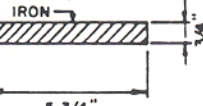


SECTION THRU RING & LID

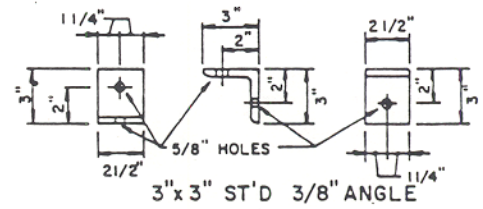


SECTION THRU RIM

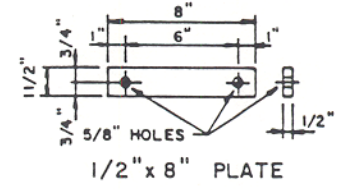
CLEATS & LETTER RAISED 1/8"



D.P.U. TOP



3" x 3" ST'D 3/8" ANGLE



1/2" x 8" PLATE



GALVANIZED 1/2" x 3 1/2" BOLT

REVISIONS

STANDARD METER VAULT PARTS

DRWG. NO.

D-230

2 OF 2