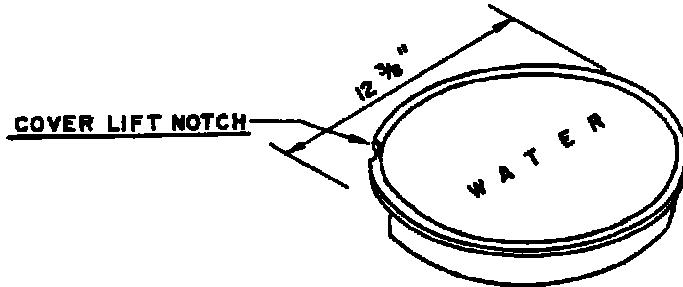
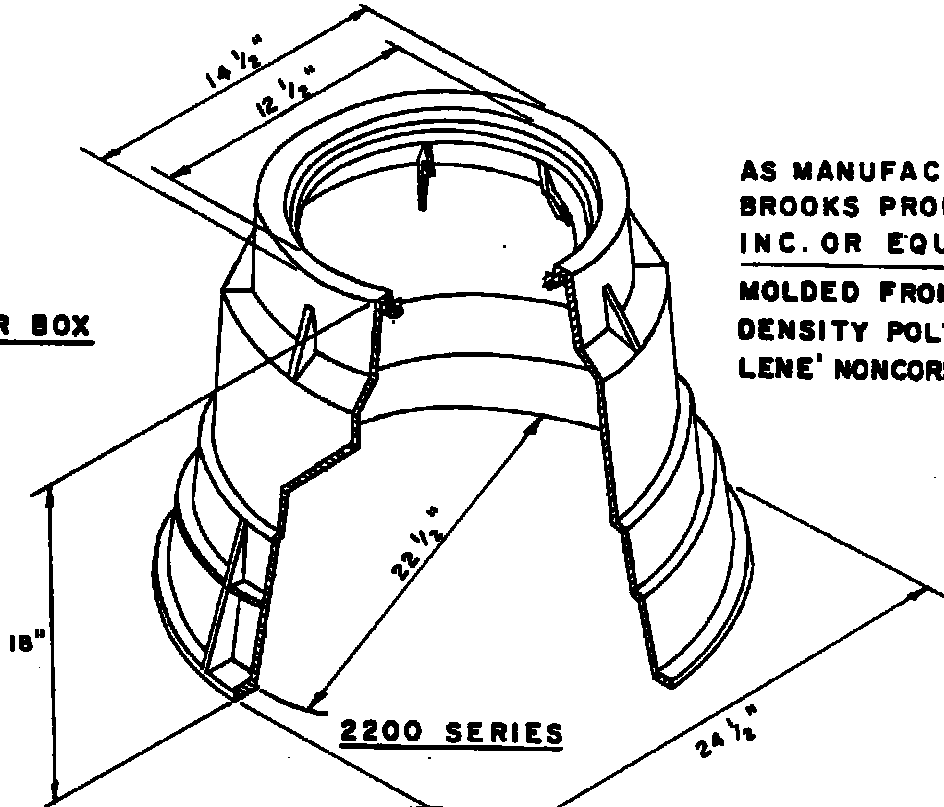


COUNTY OF HENRICO
DEPARTMENT OF PUBLIC UTILITIES



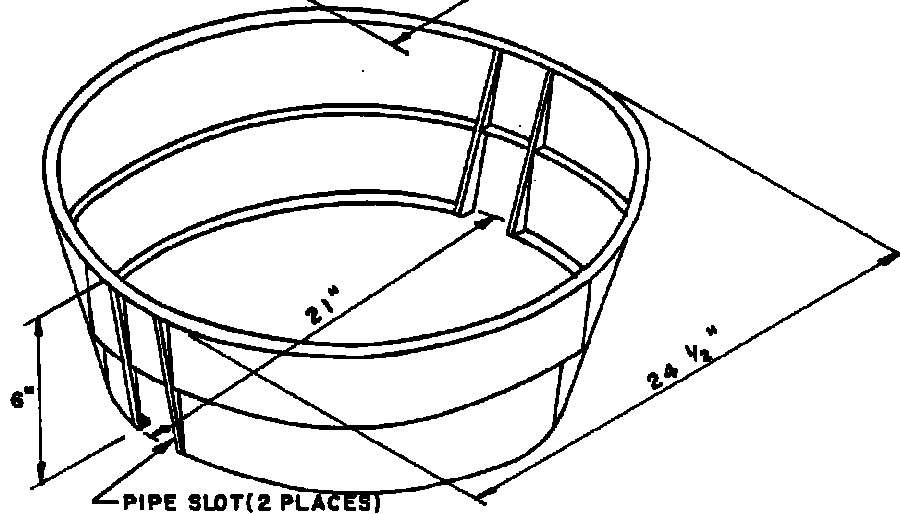
CAST IRON LID
LID TO BE PROVIDED
WITHOUT HOLE OR
LOCKING DEVICE.

18" METER BOX



**AS MANUFACTURED
BROOKS PRODUCTS,
INC. OR EQUAL.**
**MOLDED FROM 'HIGH
DENSITY POLYETHE-
LENE' NONCORROSIVE.**

6" EXTENSION



REVISIONS
03/16/81
07/07/00

PLASTIC METER BOX
FOR 5/8" METERS, 1" METERS, & FLUSHING HYDRANTS

DRWG. NO.
D-233